

H|L

HECTOR LANDGRAVE

LOS ANGELES CA



TIMELESSLY ELEGANT OUTDOOR FURNITURE

Landgrave.



Hector + Zara Landgrave

H|L

HECTOR LANDGRAVE

LOS ANGELES CA

Hector Landgrave Casa. was founded in 2006 in Los Angeles, California. Proud to create an American brand following the American Dream. Hector created his company with a purpose to bring and instill culture from each part of the world through his travels bringing a sex appeal, edginess, and brilliant design.

Hector + Zara Landgrave is classic Landgrave with a contemporary twist same blood with a twist of fresher ideas when it comes to pick up colors
Zara is the master.

COLLECTION

ARTY

A lifestyle that only those who travel the world can understand
how useful a stool can be



WACOW

WACOW

WACOW

HIP HOP CULTURE

NEW YORK

QUEEN

GRAFFITI

PEACE

LOVE

Street Culture

BIG BANG

SEX

IMAGINE

DREAM

METRO

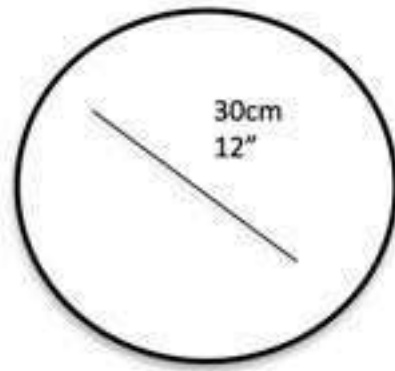
CITY

BACK IN New York





ARTY



40cm
16"



Stool

COLLECTION

CUBO

Ergonomic Lines that perfectly meet.



CUBO

COMING SOON



Right Arm Chair

CUBO

COMING SOON



Right Left Chair

CUBO

COMING SOON



Right Left Chaise Arm

CUBO

COMING SOON



Right Right Chaise Arm

CUBO

COMING SOON



Right Chaise Lounge

CUBO

COMING SOON



Coffee Table

COLLECTION

LOVE

True love stories never have endings" just like the woven of the rope on the pink aluminum frame representing the female and most pure love.

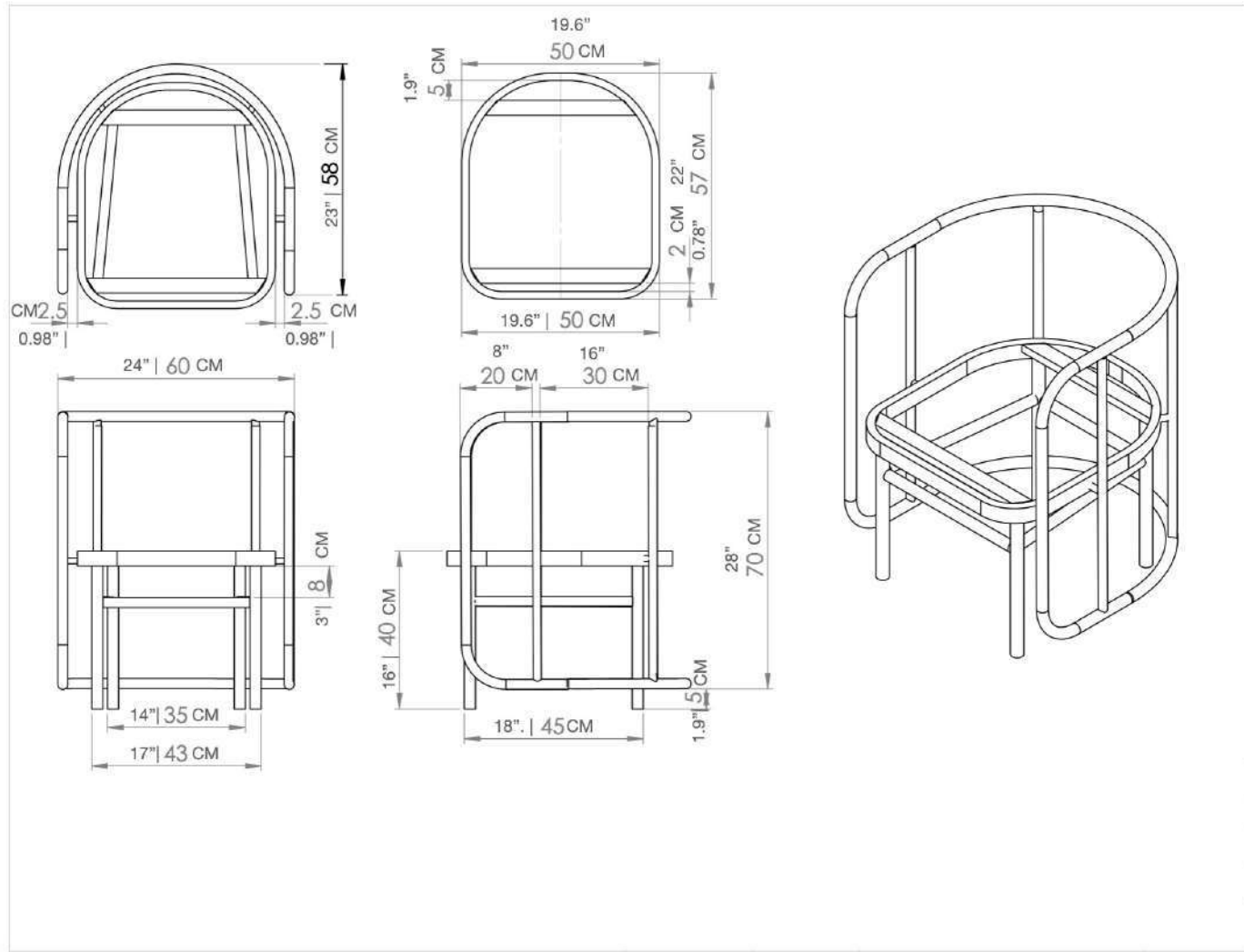
Also available in other colors.



I LOVE YOU

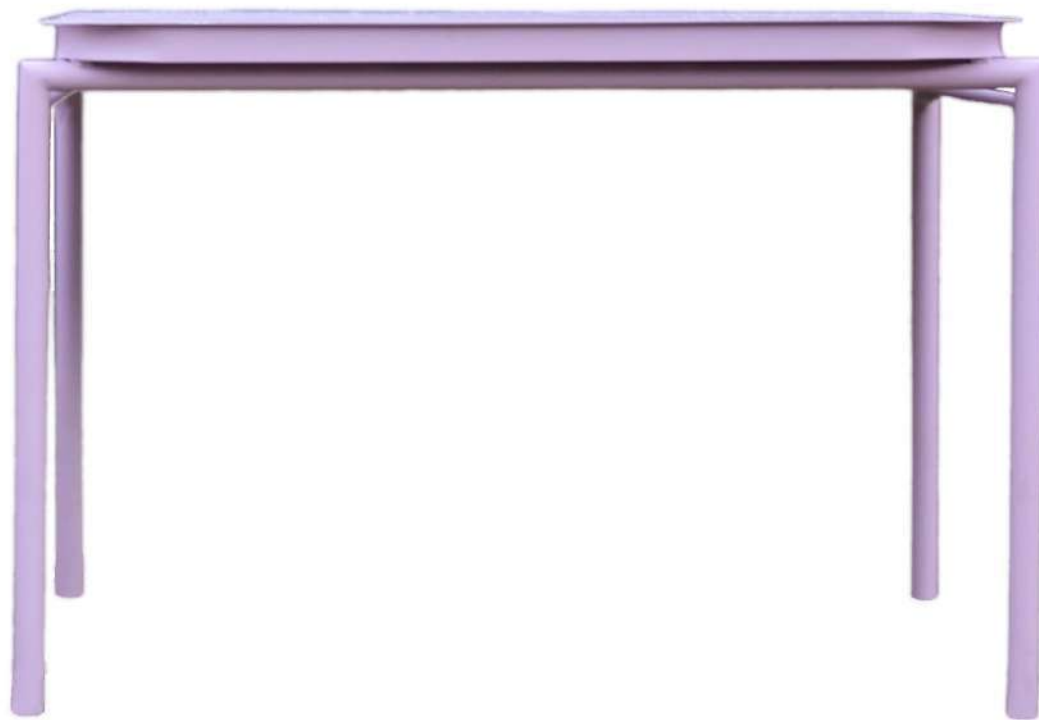
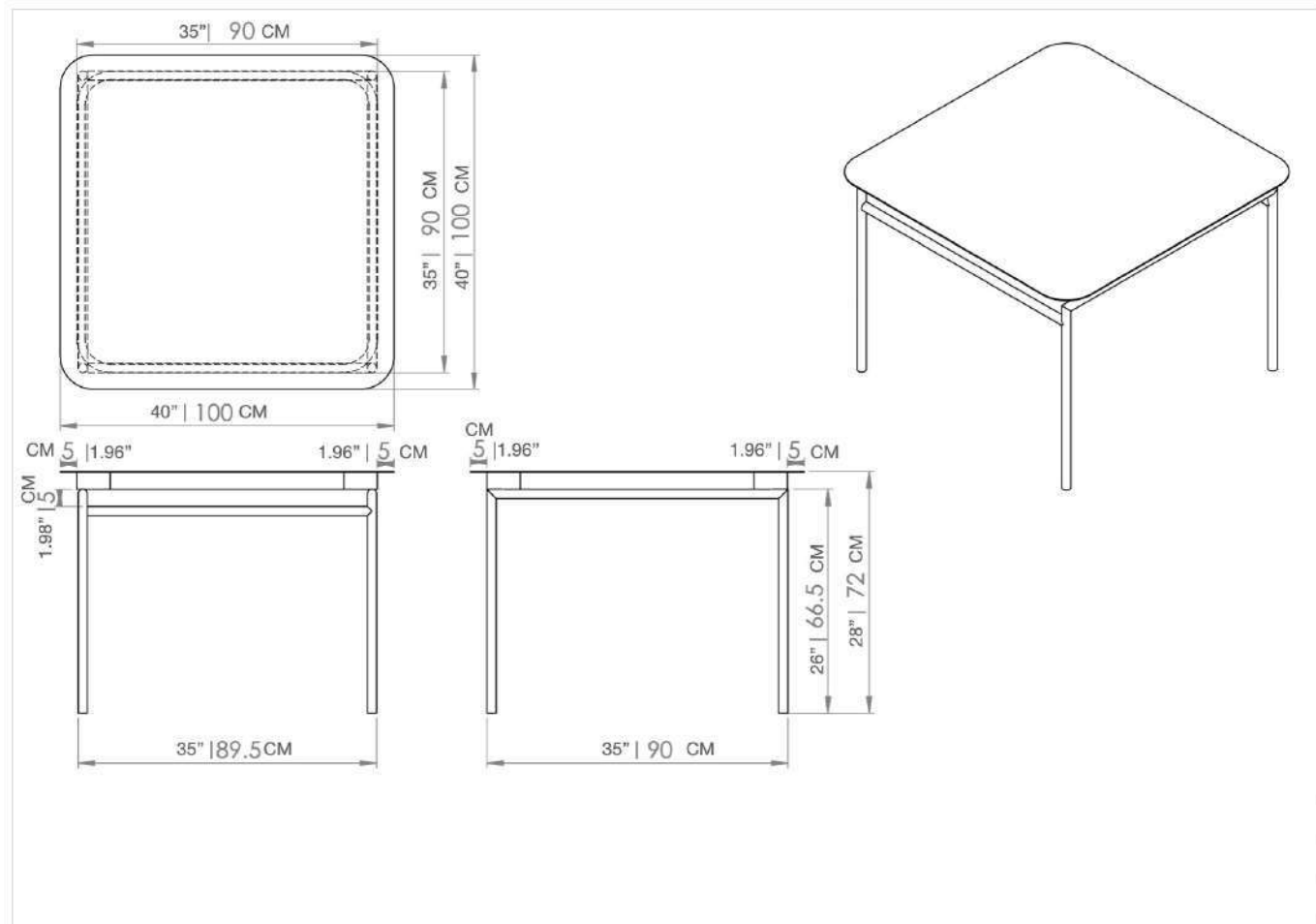


LOVE



Dining Arm Chair

LOVE



Square Dining Table

COLLECTION

MARRAKESH

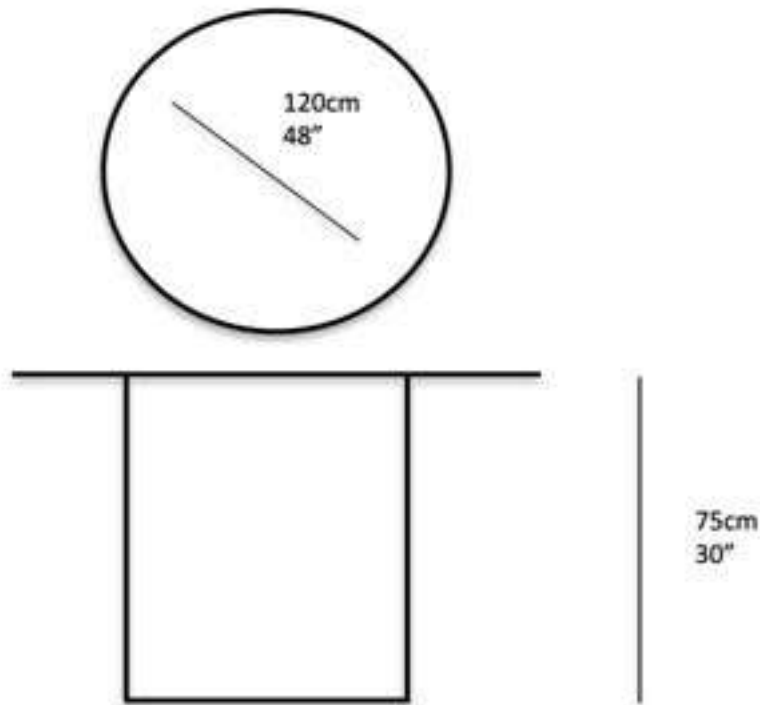
In Morocco, it's possible to see the Atlantic and the Mediterranean at the same time.

That's why we created a table with clean lines and a circular top that allows you to enjoy the horizon





MARRAKESH



48" Round Dining Table

COLLECTION

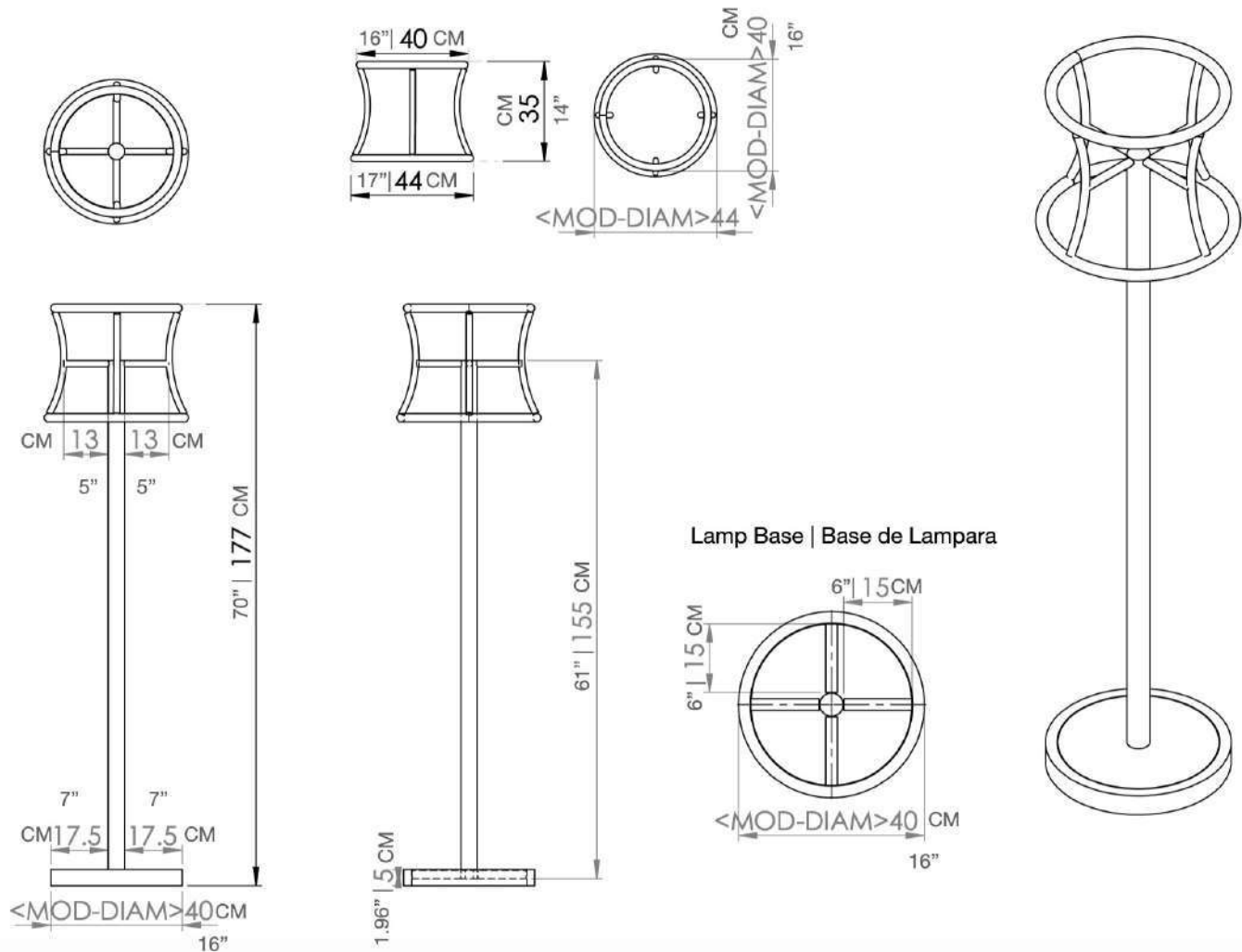
OOH LA LA !!!

Just like the first time i was lucky to see paris from a helicopter
my first expression was ooh la la a very french expression and by
just contemplating the city from the air immediately came to me
the idea of a lamp with the shape of the city which if you
contemplate from the air is like a net





OOH LA LA !!!



Free Standing Lamp

COLLECTION

RATTAN

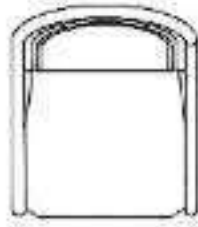
We name it Rattan because it means wicker in English and it sounds like Roatán, an island in the Caribbean that we particularly love.

We use a touch of synthetic wicker with a rougher aluminum frame. weaved wicker one of the oldest trades in the world.
it stirs a memory and makes you feel at home.





RATTAN



55cm
22"



88cm
35"

64cm
25"



Dining Arm Chair

COLLECTION

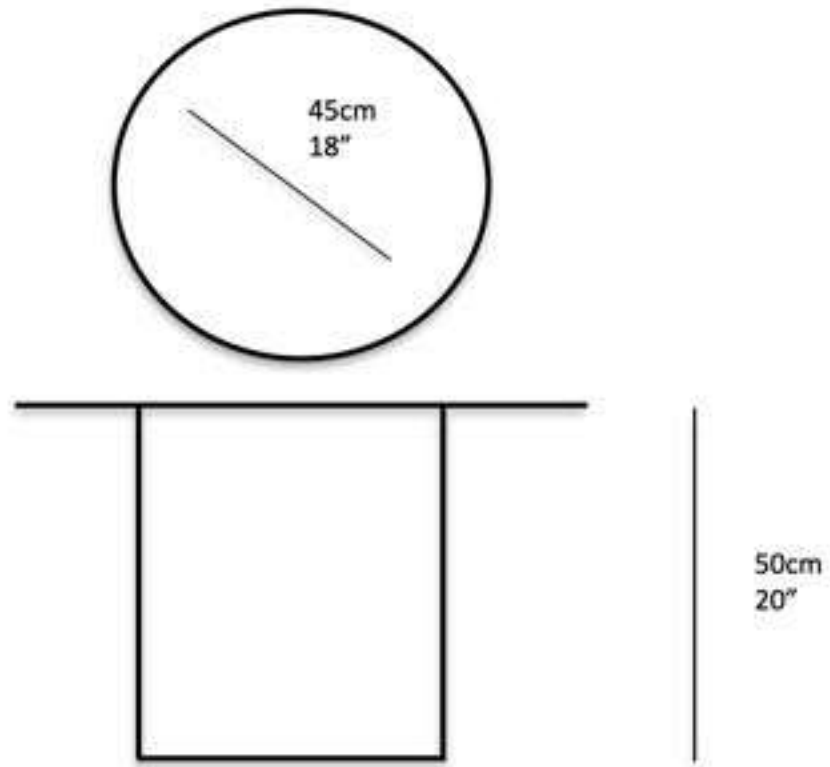
RUE LA LA

Rue La LA the inspiration is born from the need to have a sophisticated table to simply contemplate the streets of Paris





RUE LA LA



Side Table

COLLECTION

PLAY

LIFE IS A DREAM

The main idea is to not let people forget the art of play and just enjoy without the everyday stress, when we combine work and play we get more creative and we want to share this to every person in the planet

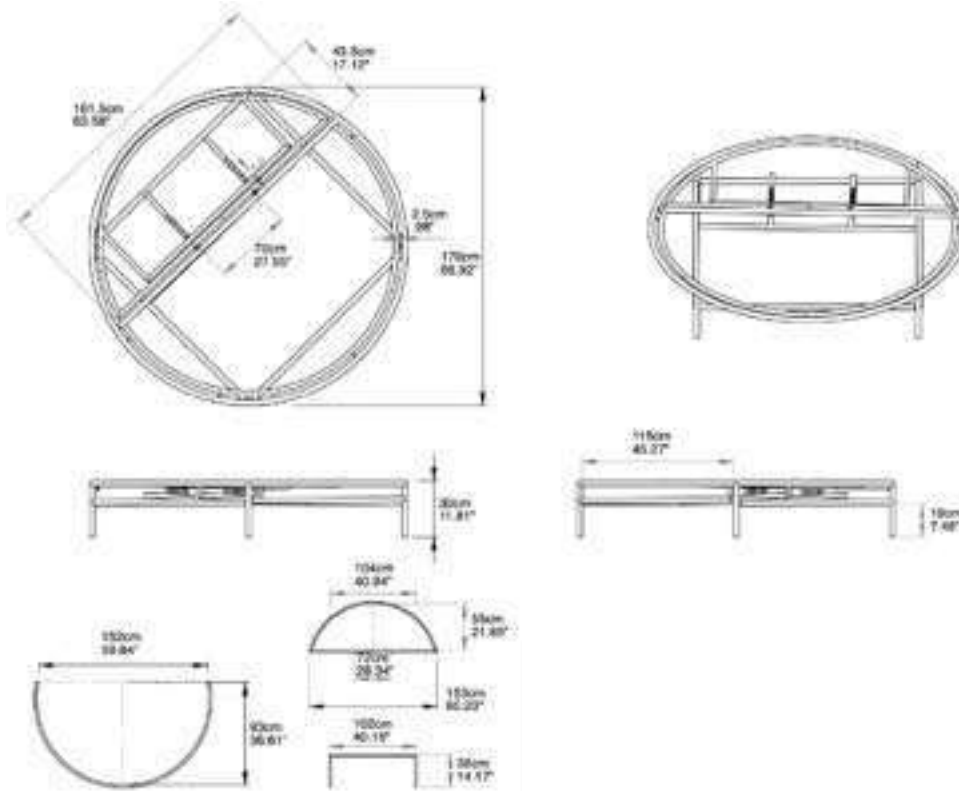
Hector and Zara Landgrave said.

Designed in organic shapes available in 2 sizes L and XL to share with your love ones.





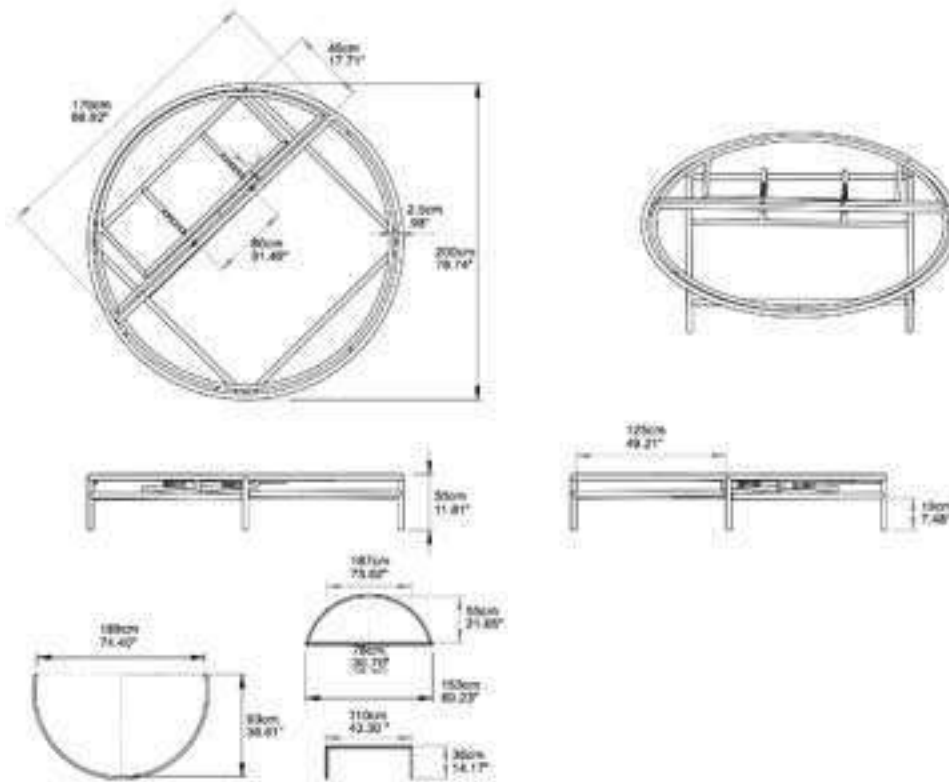
PLAY - L



Day Bed



PLAY - XL



Day Bed

COLLECTION

SIT

With comfort in mind, the idea of adding an integrated canopy to the chair was born here so that you can always be seated, whether reading a book, talking with family or friends without the sun deprived you.

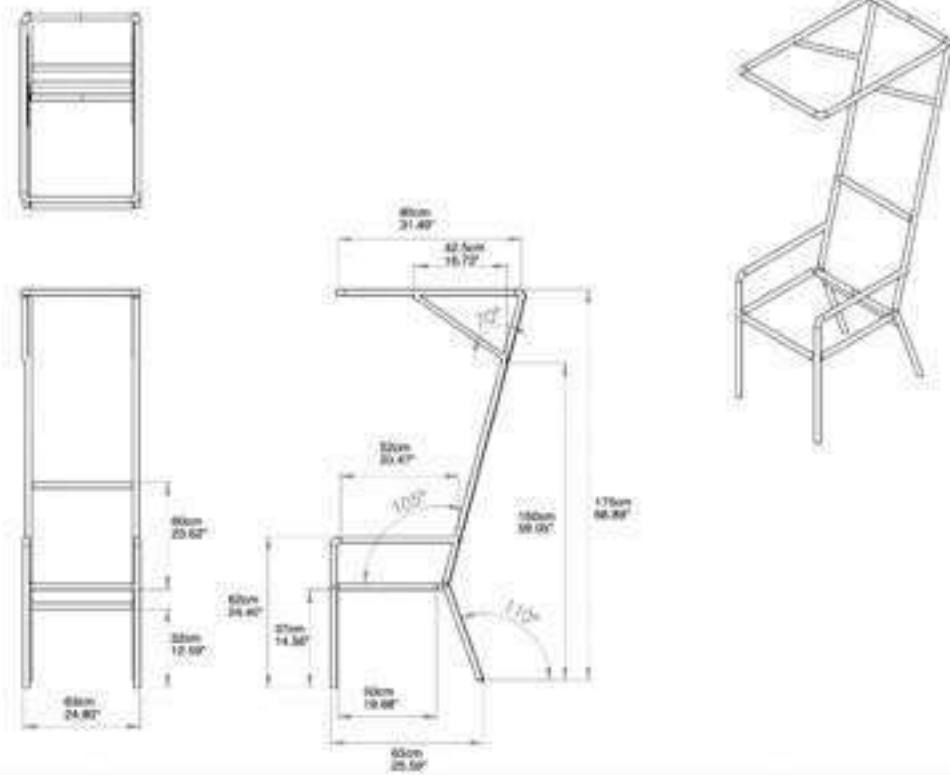
Ideal for covering the skin from direct UV rays.

The collection consists of the chair with canopy, ottoman and side table perfectly integrated into the collection in aluminum, fabric and synthetic weaved wicker.



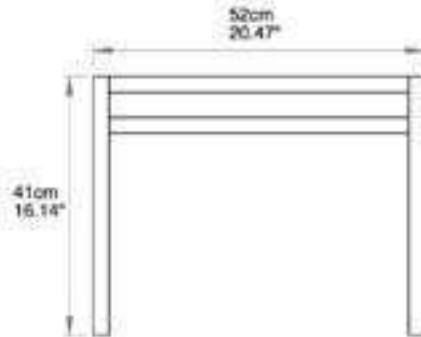
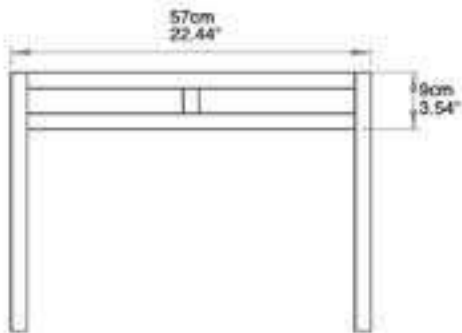
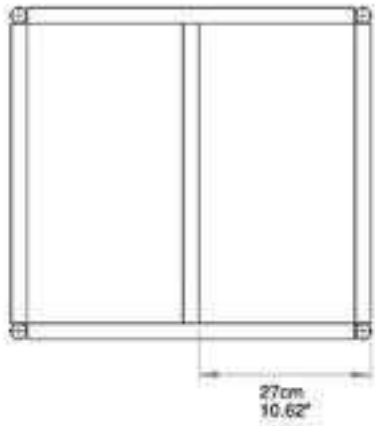


SIT



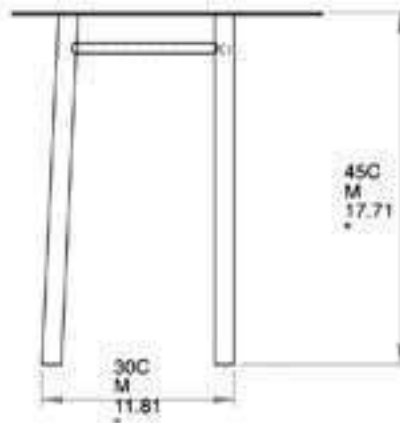
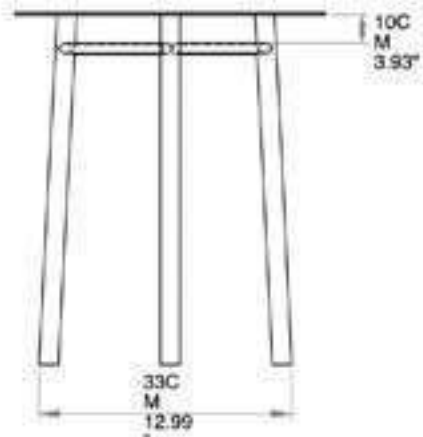
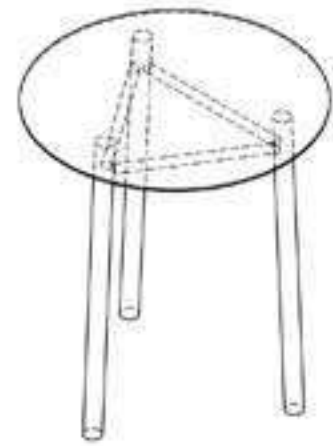
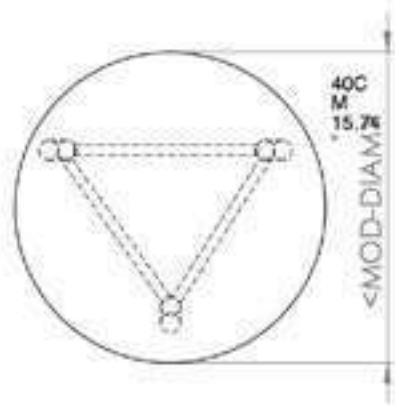
Reading Chair

SIT



Ottoman

SIT



Side Table

COLLECTION

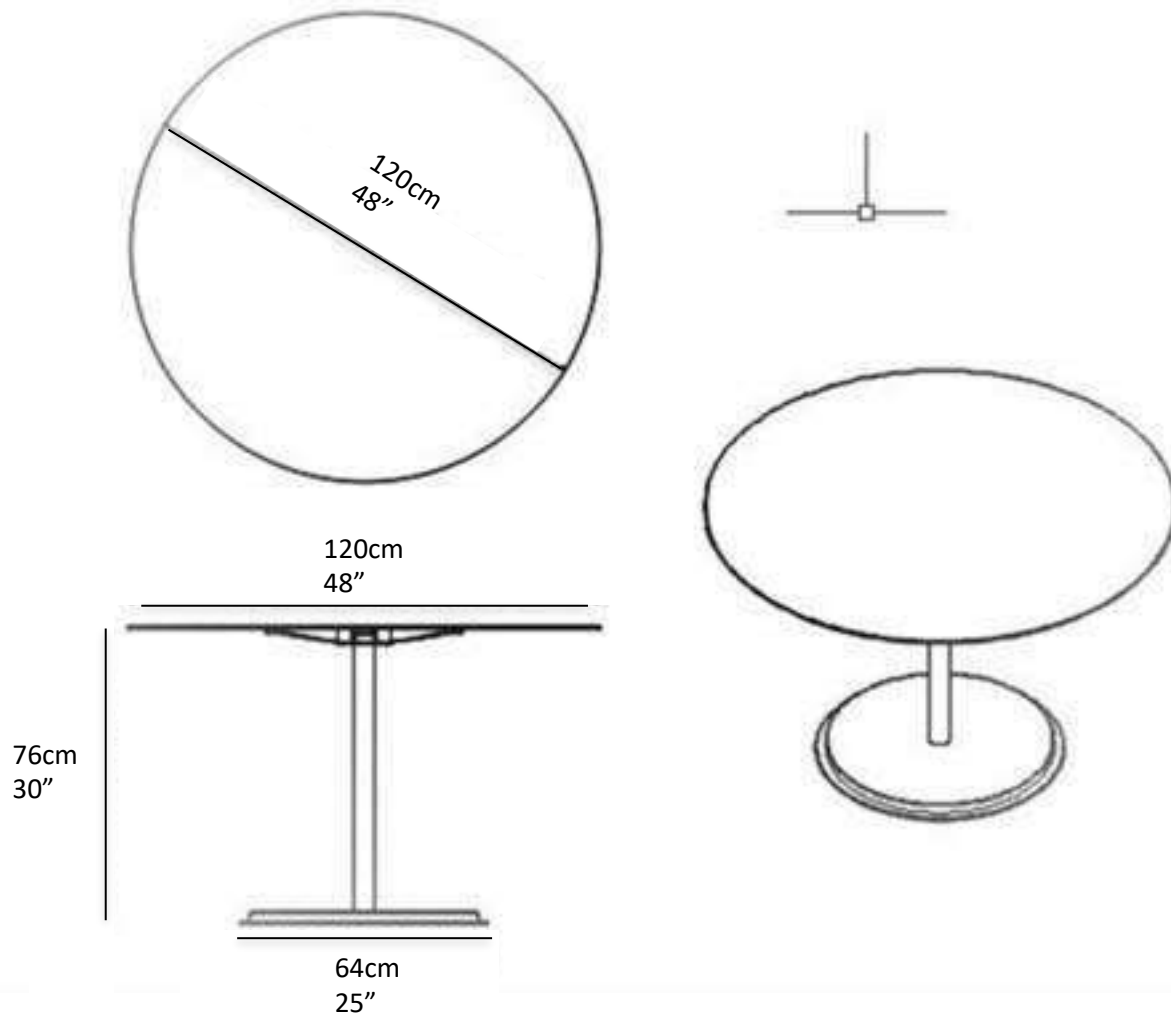
SUNSET

The shape of the chair, is inspired by the courtship dance of male peacock - mayura in the Hindu language- who stretch out their wings to show off their beauty to the female. Sunset Dining Arm Chair is part of Sunset Collection, a range of chair and Table conceived by the designer and produced by Italian craft upholsters using the fabric that is used to upholster yacht's. The designs are made out of aluminum and yacht fabric . Hand - made, they are human in their perfections and flaw.





SUNSET



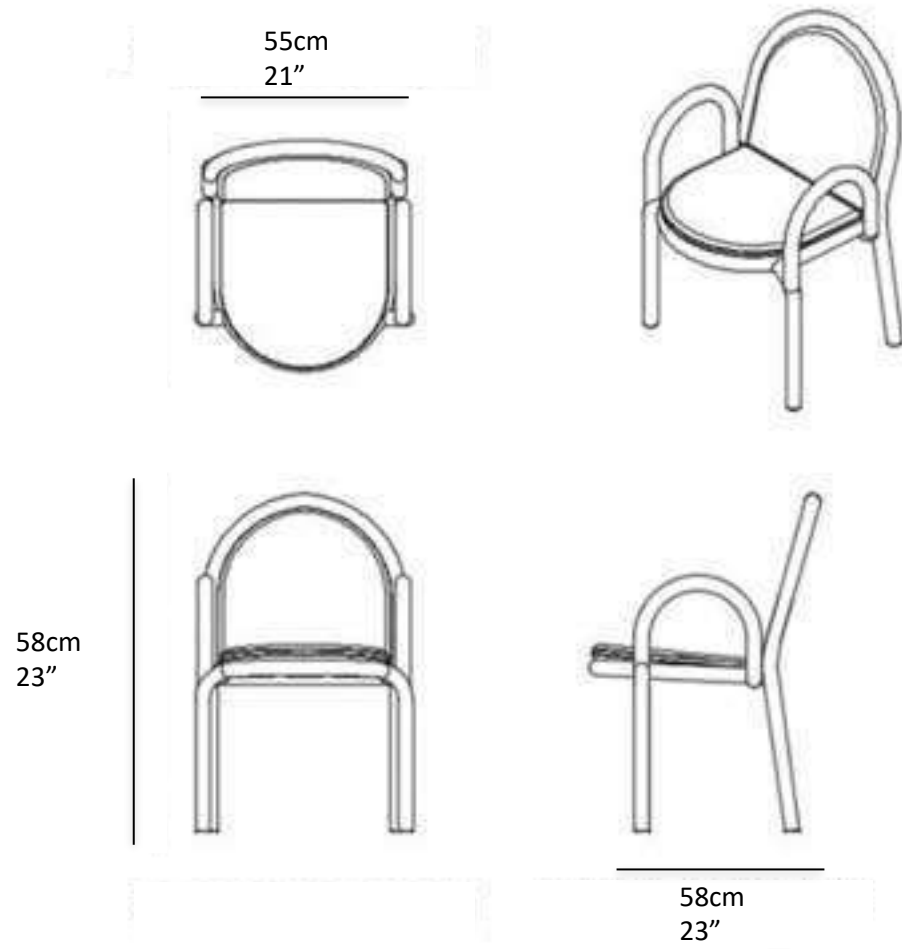
48" Round Dining Table

BLISS



That Inspire

SUNSET



Dining Arm Chair

COLLECTION

SMILE

A SMILE CAN SAVE A LIFE

That's why we make sure the back and seat of this collection are the shape of a smile connected so when you see it you remember how great it feels just to smile as simple as that.

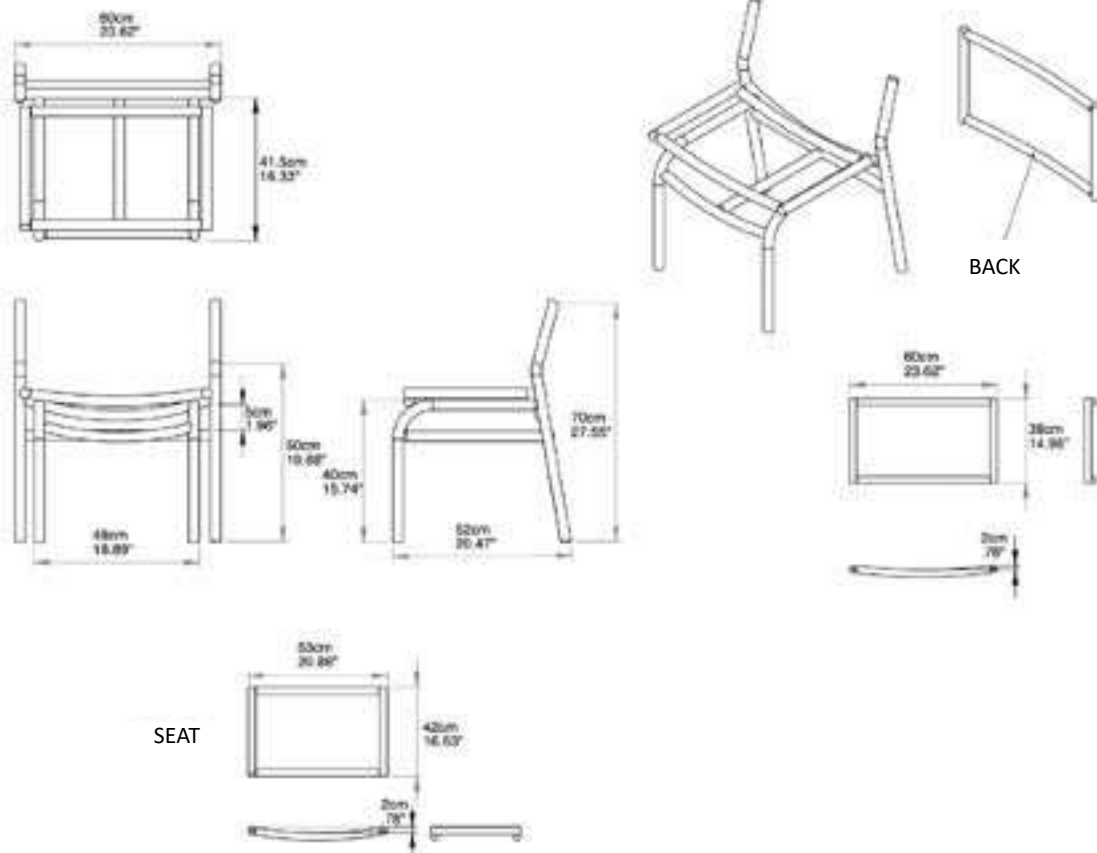
The clean lines of the table reflect the simplicity of life.

Aluminum and synthetic wicker for the chairs, and tempered colored or transparent glass with aluminum frame.





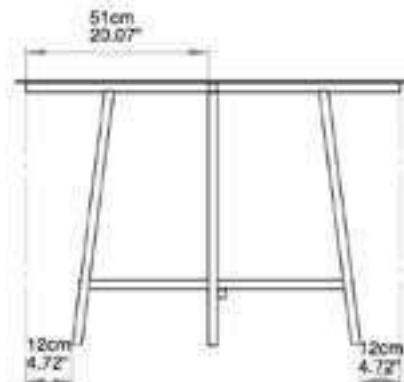
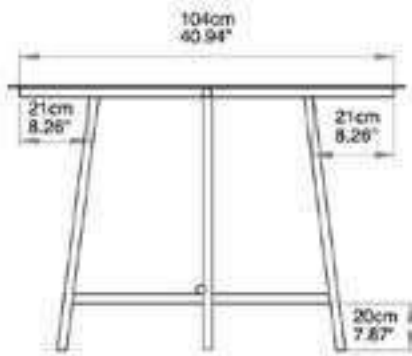
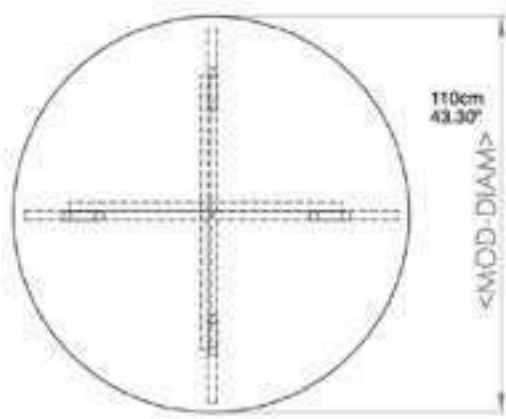
SMILE



Dining Arm Chair



SMILE



48" Round Dining Table

COLLECTION

TWIST

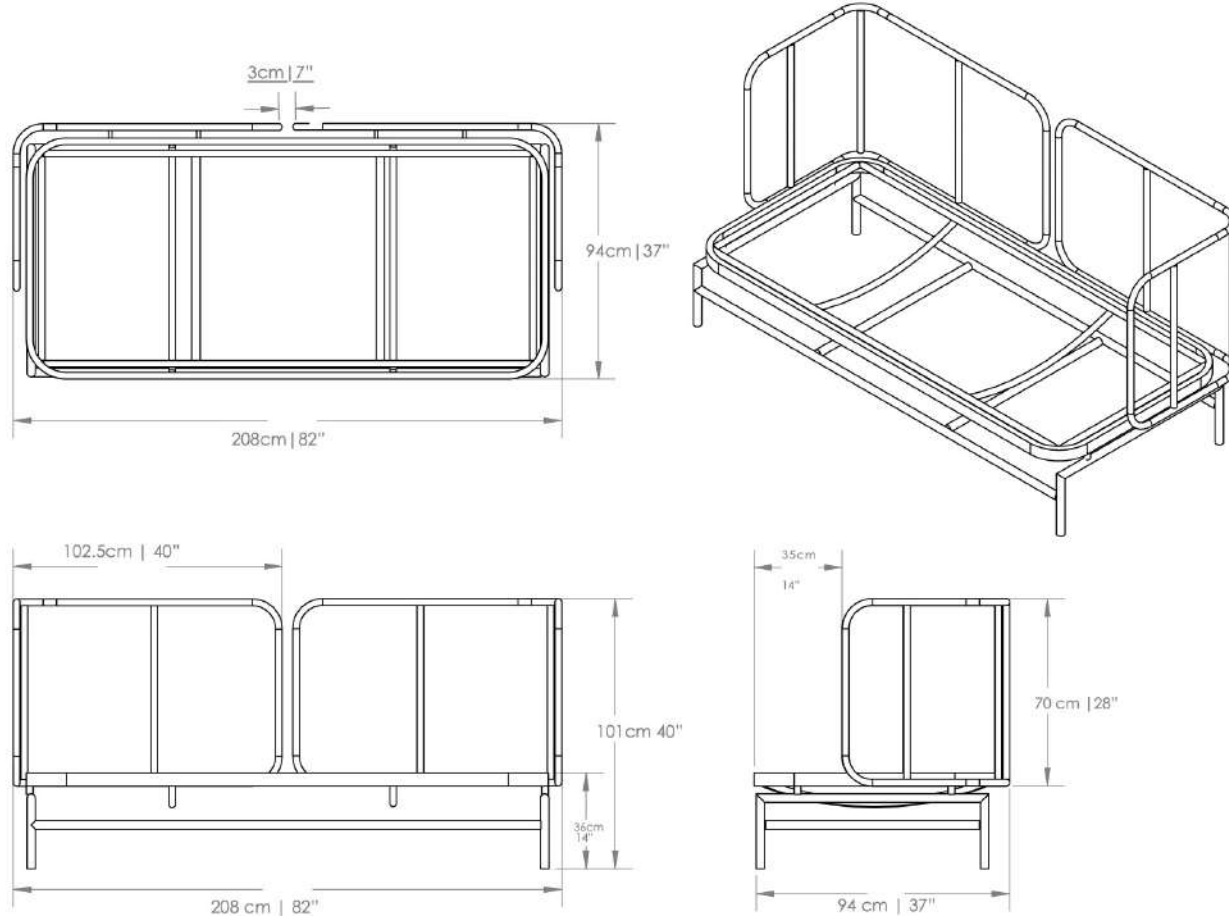
An aesthetic that crosses the line; rational and logical interpretation is replaced by instinctive perception. A conceptual reinvention process, a twisted thick rope and aluminum frame that would be impossible to produce if not for the talented hands of our craftsmen.







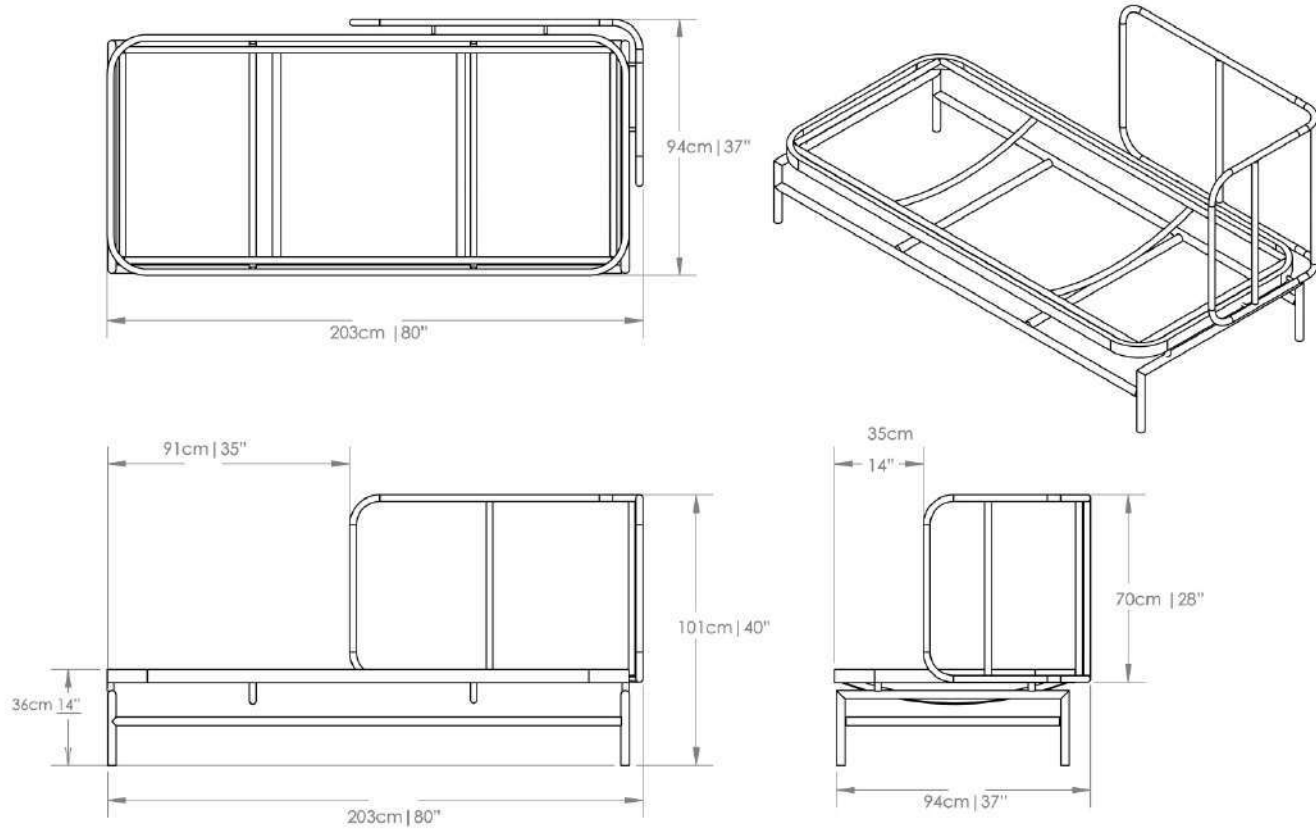
TWIST



COMING SOON

Sofa

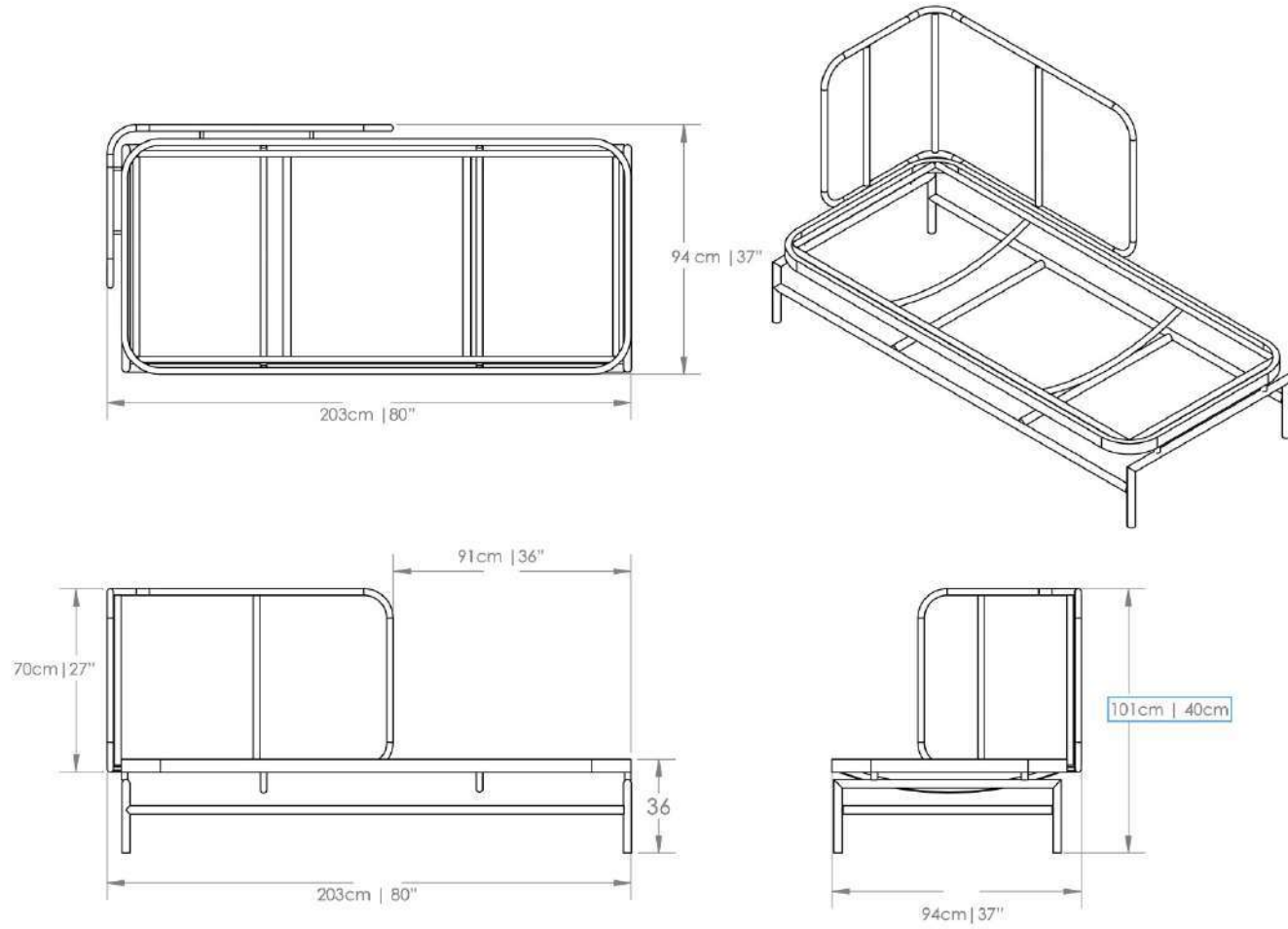
TWIST



COMING SOON

Right Chaise Lounge

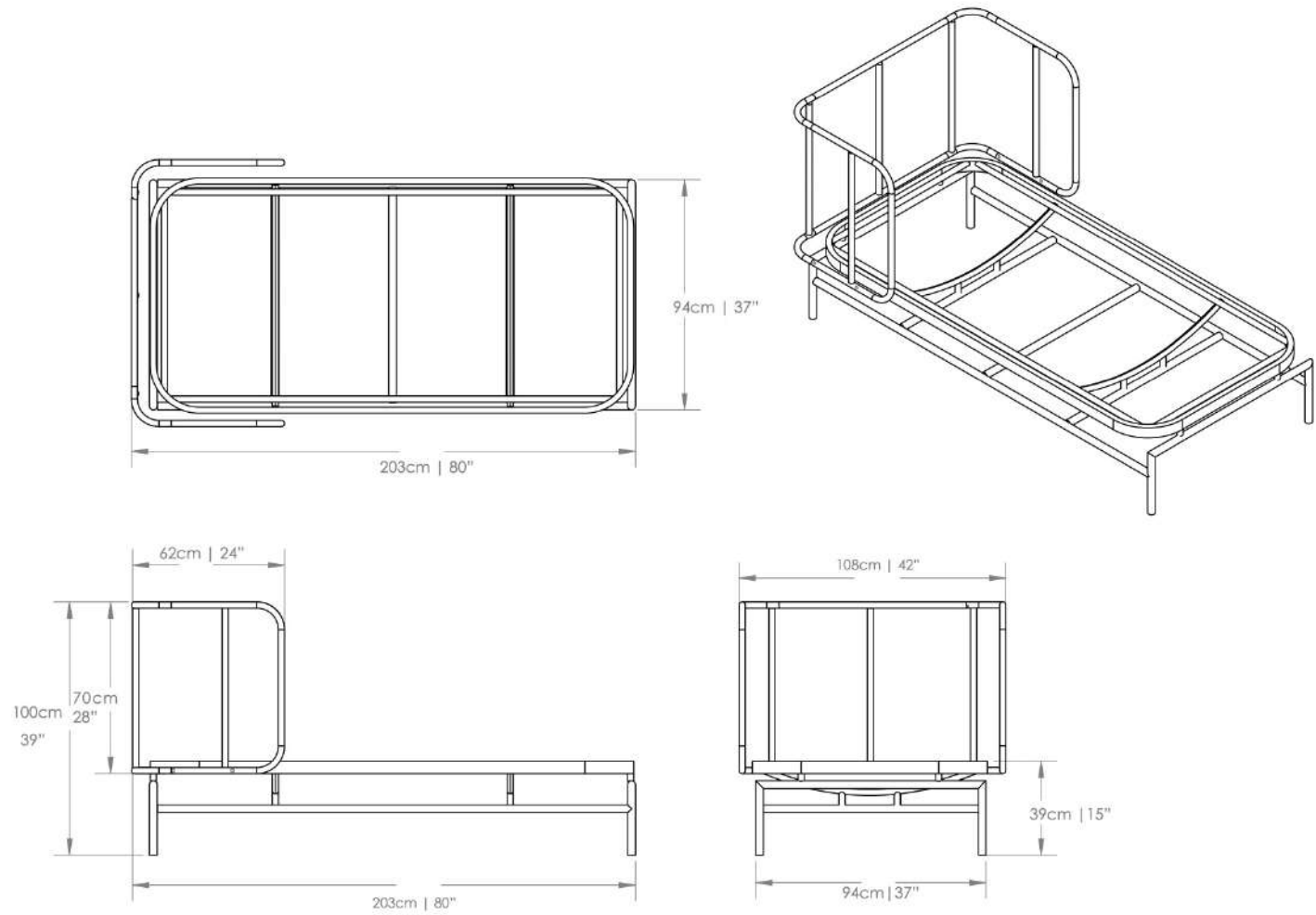
TWIST



COMING SOON

Left Chaise Lounge

TWIST



COMING SOON

Sun Bed

TWIST

COMING SOON

COMING SOON

Ottoman

TWIST

COMING SOON

COMING SOON

Coffee Table

COLLECTION

YACHT

The tubular aluminum frame of Yacht becomes the starting point which the designer uses for a creative makeover.

The frame inspired by the railing of a yacht born through the trips of Hector and Zara Landgrave through the beautiful costa del sol in Spain the journey always begin leaving the port of Malaga, the seats assume different personalities according to the material used.

Yacht fabric on the cushions.

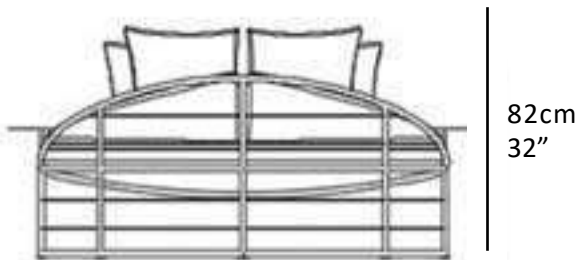
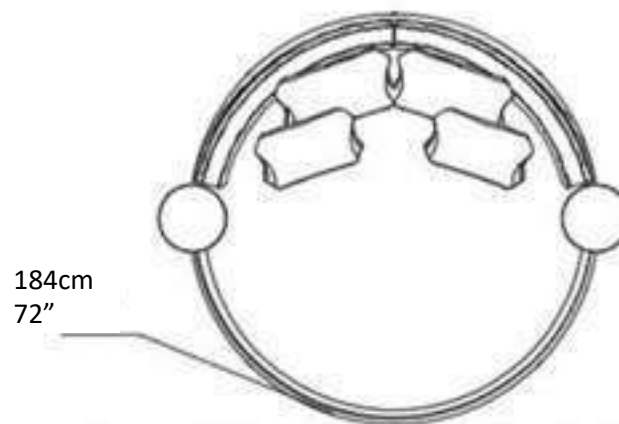
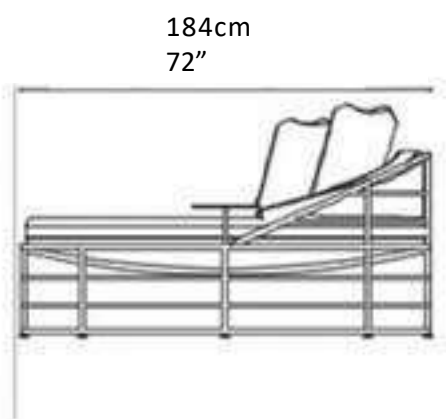
The frame is made of anodized or thermo-lacquered aluminum in: matt white, blue black, brown, grey, green, graphite..., you choose.

The cushions are made of polyester fiber and the mattress of the day bed is made of polyurethane foam; suitable for outdoor use.



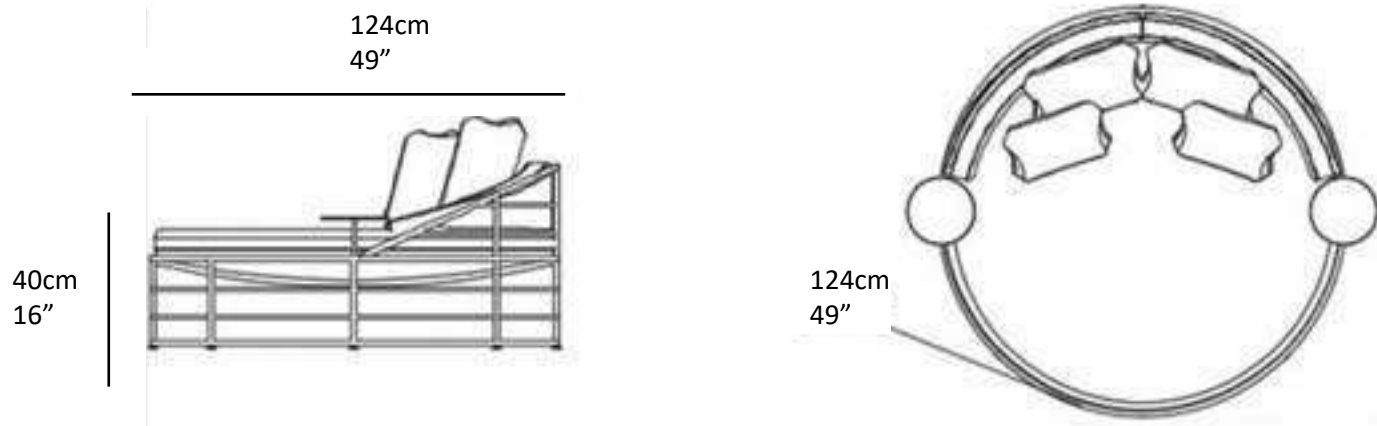


YACHT XL



Day Bed

YACHT L



Day Bed



FINISHES



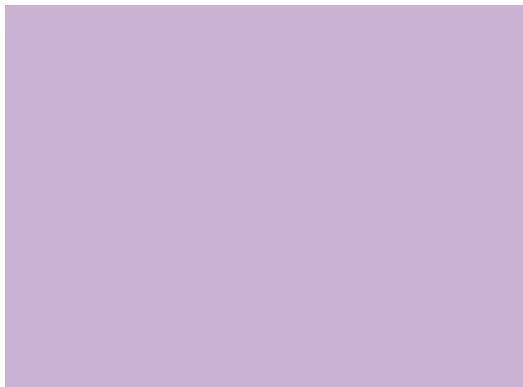
Chalk



Caviar



Malted Milk



Free Spirit



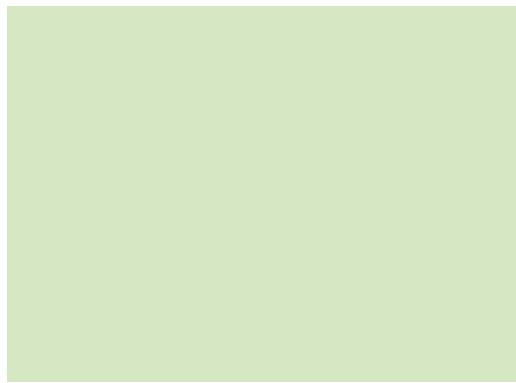
Tint



Undercool



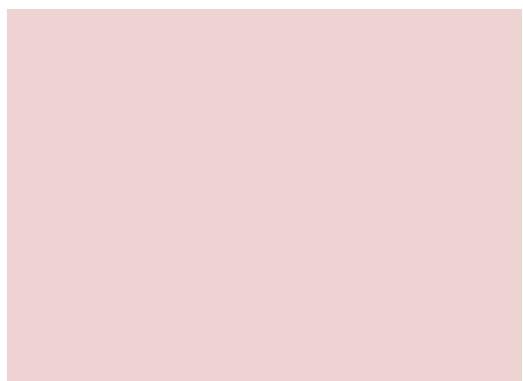
Caribbean



Green Vibes



Blond



Charming Pink

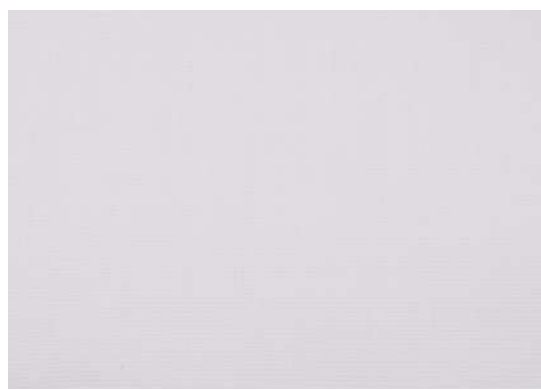


In the Pink



Real Red

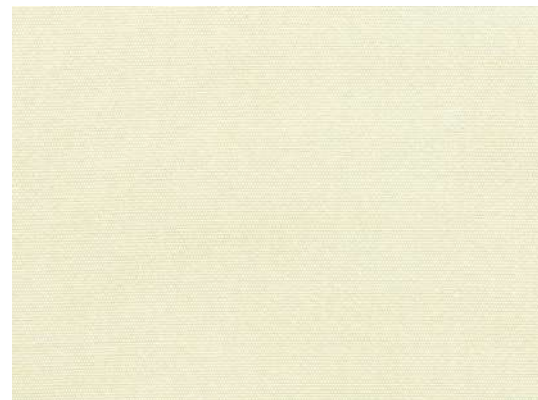
Fabrics



Canvas White



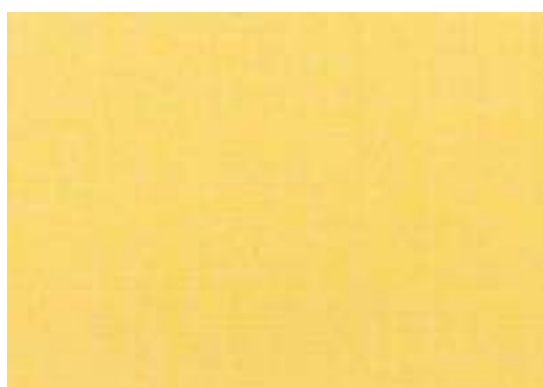
Canvas Black



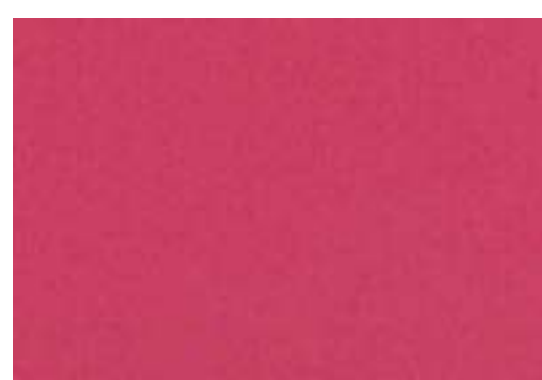
Canvas Natural



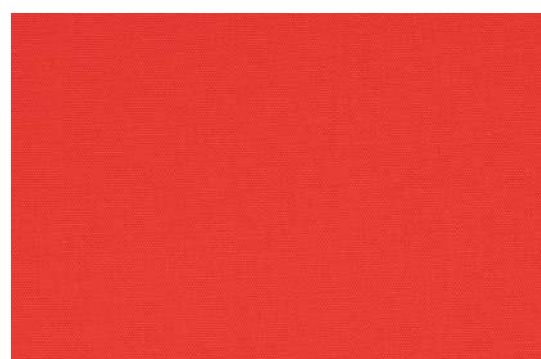
Aruba



Canvas Buttercup



Canvas Hot Pink



Capriccio Logo Red

Rope



Ooh lala!!!



Love



Twist

Plastic Woven



Honey



Dark



White



Designed by Hector Landgrave Casa in California

H|L

HECTOR LANDGRAVE

LOS ANGELES CA

www.hectorlandgravecasa.com